

The New Market Accelerated by Open Innovation

~ Optical Interconnection ~



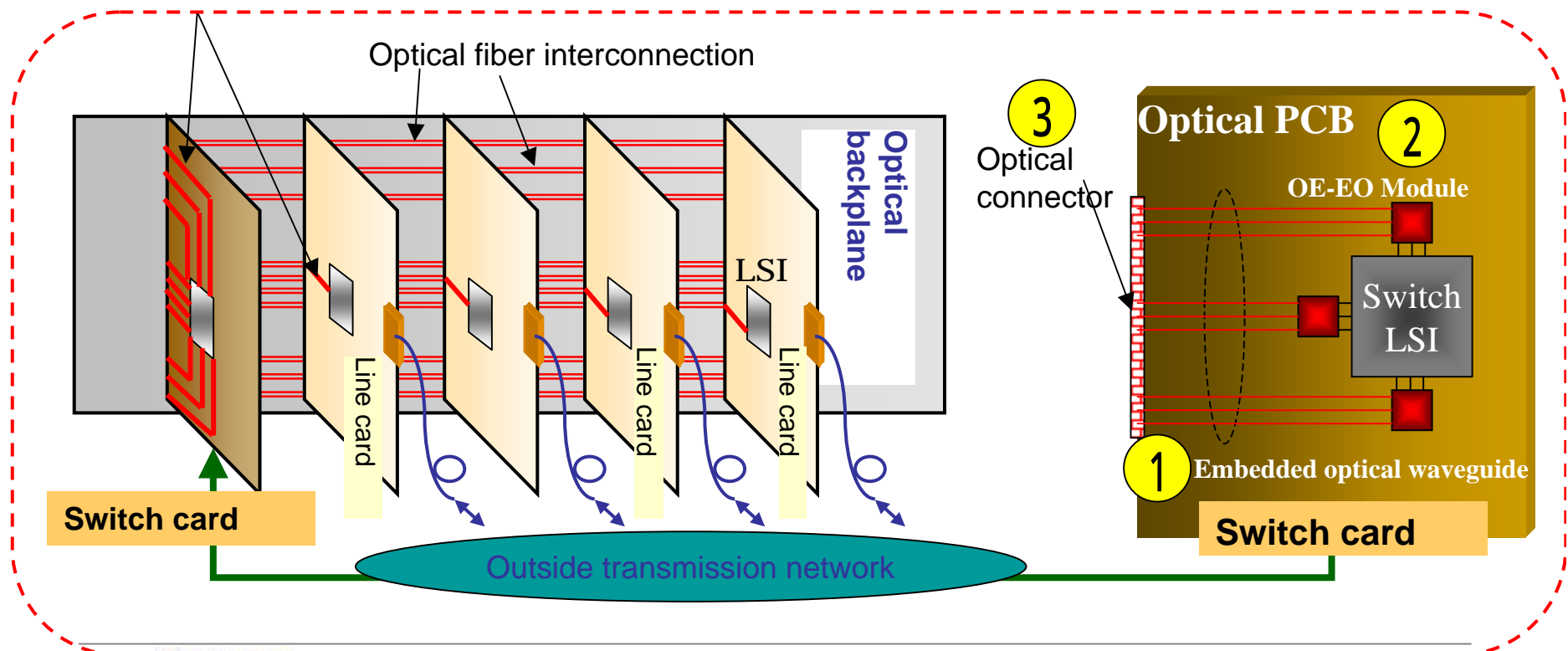
Advanced Photonics, Inc.
2009.09.10 Ver 1.0
< Excerpt >



04. Technology of A pi

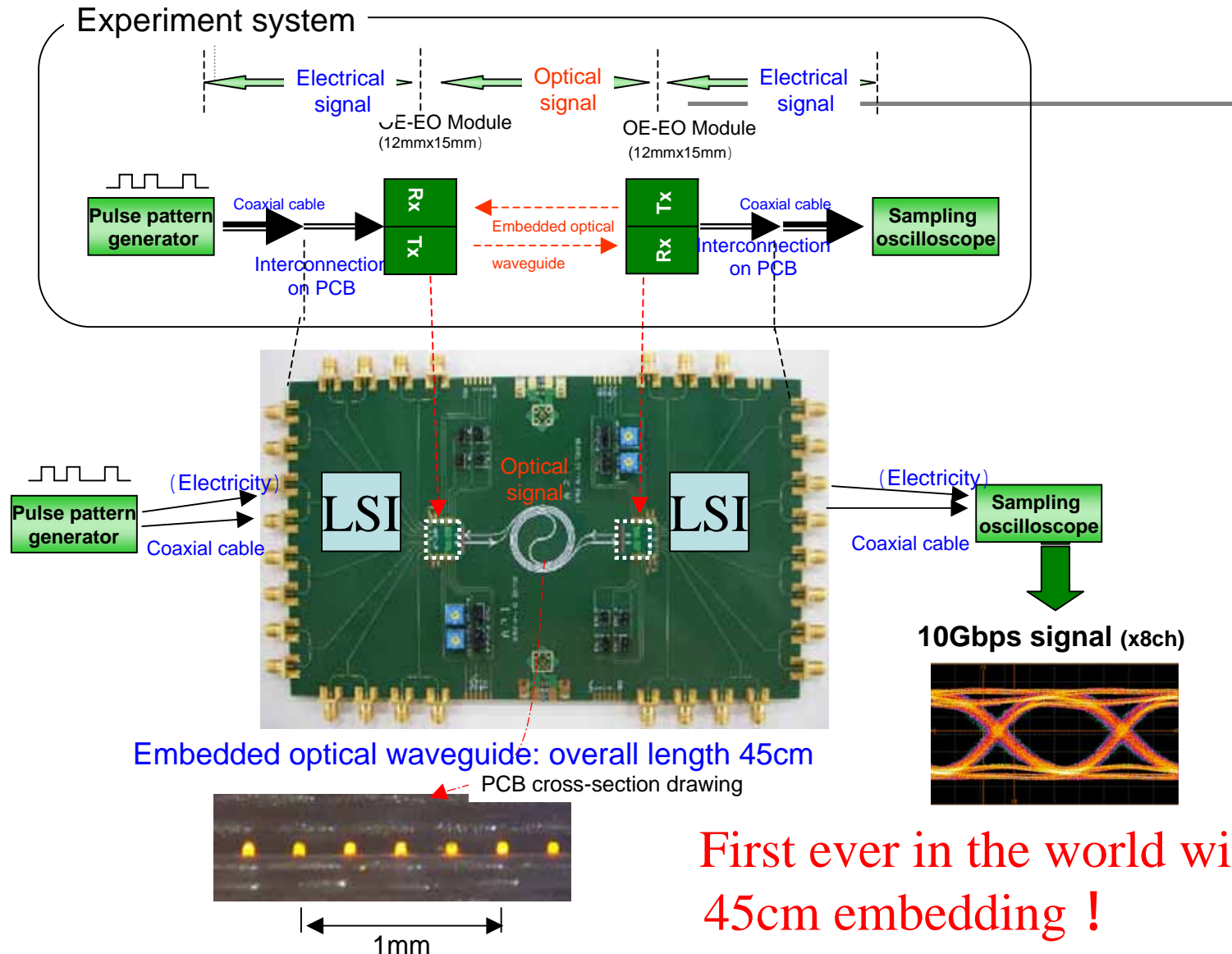
1. Elemental technology ① ~ ③
2. 10Gbps/channel, 80Gbps optical transmission technology
3. Feature : Opto-electronic integration

Intra-board optical interconnection



04 - 2. 45cm Embedded Optical Waveguide Demonstration Board

Confidential



First ever in the world with 45cm embedding !

03 - 1. Closed Innovation vs. Open Innovation



04. Points to be checked in introducing open innovation

Passion for promoting the technology !

- ✓ Clarify respective strength
 - Confirm willingness to collaborate
- ✓ Select theme with commercialization as precondition
 - R & D not for reporting s sake
- ✓ Clarify time axis
 - Have a clue about distance to realization, based on process schedule chart
- ✓ Negotiate agreement to proceed for the future
 - Development in coming months
- ✓ Unavoidable uncertainty

How about converting
your main products into
OPTICAL
together with us !

First, just contact us
info-api@advancedphotonics.co.jp

Advanced Photonics, Inc.